



USA:  
 NuVASIVE, INC.  
 7475 LUSK BOULEVARD  
 SAN DIEGO, CA 92121, USA  
 PHONE: +1-800-475-9131



EC REP

EUROPE:  
 NuVASIVE NETHERLANDS B.V.  
 JACHTHAVENWEG 109A  
 1081 KM AMSTERDAM  
 THE NETHERLANDS  
 PHONE: +31 20 72 33 000



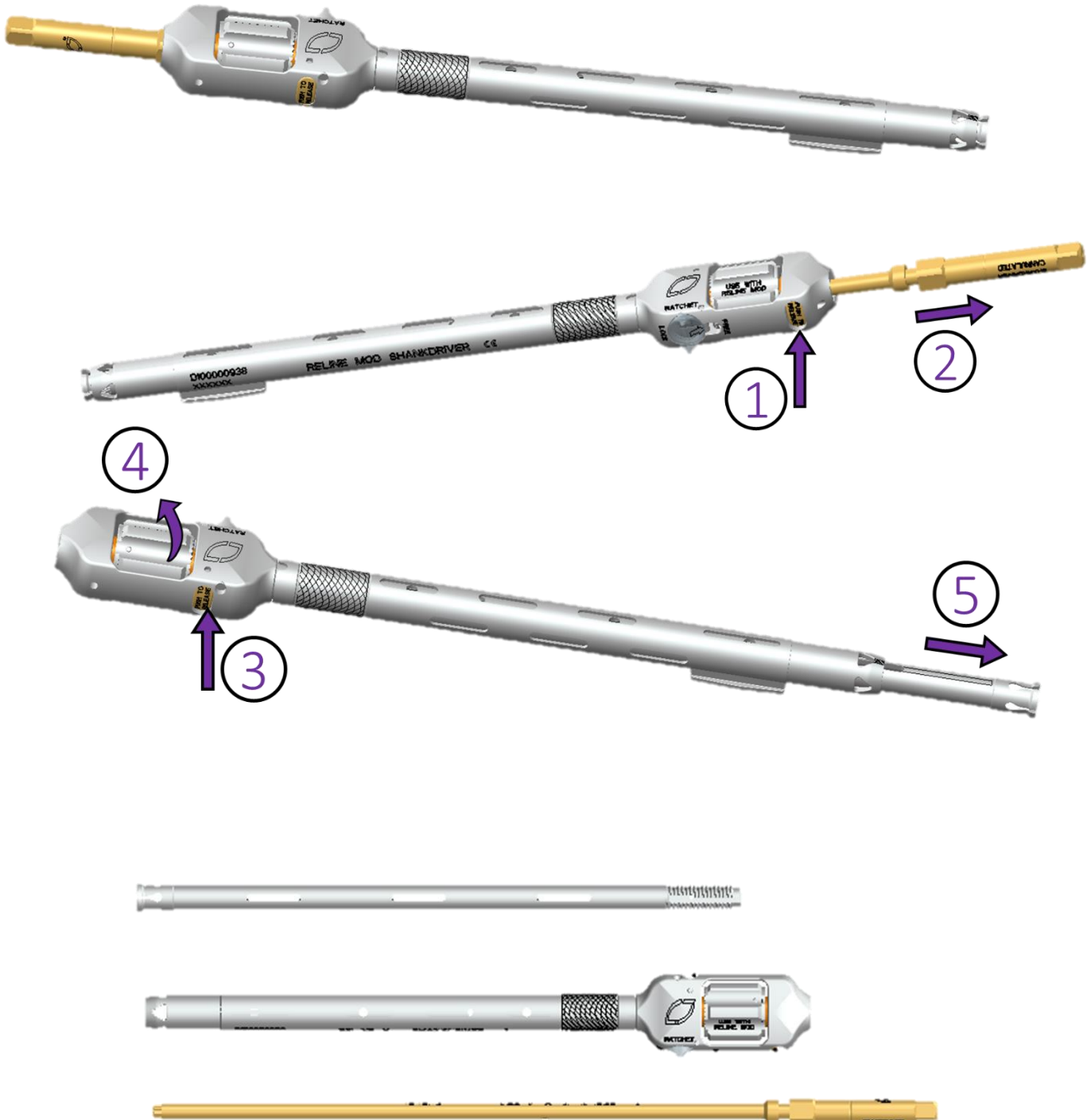
*Reline Shankdriver, Cannulated - Dismantlable*

**SUPPLEMENTAL INSTRUCTIONS**

(ZUSATZANWEISUNGEN / INSTRUCTIONS COMPLÉMENTAIRES / ΣΥΜΠΛΗΡΩΜΑΤΙΚΕΣ ΟΔΗΓΙΕΣ / INSTRUCCIONES COMPLEMENTARIAS / ISTRUZIONI SUPPLEMENTARI / INSTRUÇÕES ADICIONAIS / TAMAMLAYICI TALIMATLAR / AANVULLENDE INSTRUCTIES / INSTRUKCJE DODATKOWE)

**DISASSEMBLE:**

(DEMONTAGE / DÉMONTAGE / ΑΠΟΣΥΝΑΡΜΟΛΟΓΗΣΗ / DESARMADO / SMONTAGGIO / DESMONTAGEM / SÖKME / DEMONTEREN / DEMONTAŽ)



**ASSEMBLE/REASSEMBLE:**

(ZUSAMMENBAU/ERNEUTER ZUSAMMENBAU, MONTAGE/REMONTAGE, ΣΥΝΑΡΜΟΛΟΓΗΣΗ/ΕΠΑΝΑΣΥΝΑΡΜΟΛΟΓΗΣΗ, ARMADO/REARMADO, MONTAGGIO/RIMONTAGGIO, MONTAGEM/ NOVA MONTAGEM, BIRLEŞTİRME/YENİDEN BIRLEŞTİRME, MONTEREN/HERMONTEREN/PONOWNY MONTAŻ)

