

**USA:**  
NUVASIVE, INC.  
7475 LUSK BOULEVARD  
SAN DIEGO, CA 92121, USA  
PHONE: +1-800-475-9131



**EC REP**  
**EUROPE:**  
NUVASIVE NETHERLANDS B.V.  
JACHTHAVENWEG 109A  
1081 KM AMSTERDAM  
THE NETHERLANDS  
PHONE: +31 20 72 33 000

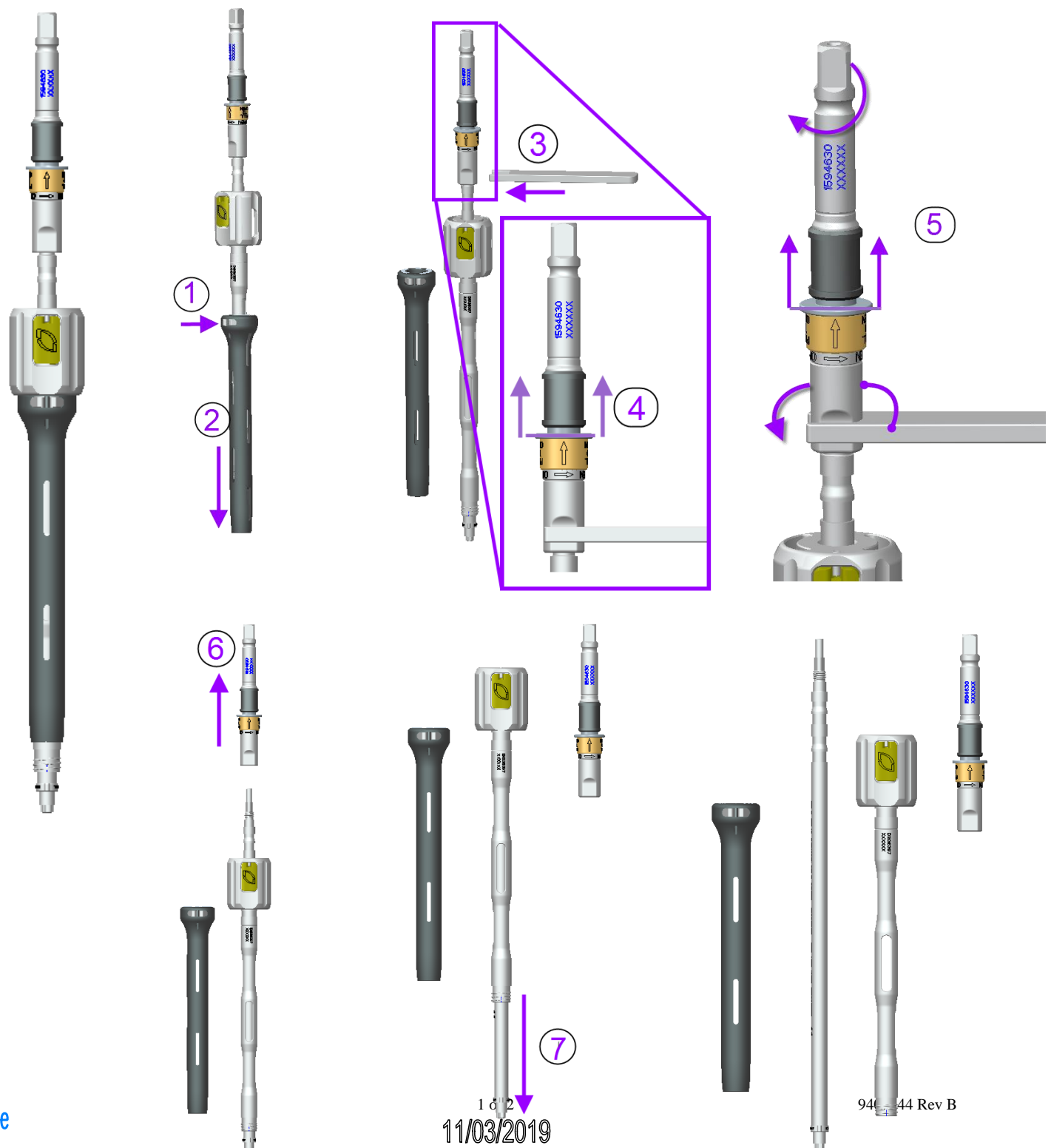


**RELINE, SCREWDRIVER, SOLID - Dismanttable**  
**SUPPLEMENTAL INSTRUCTIONS**

(ZUSATZANWEISUNGEN/ INSTRUCTIONS COMPLÉMENTAIRES/ ΣΥΜΠΛΗΡΩΜΑΤΙΚΕΣ ΟΔΗΓΙΕΣ/ INSTRUCCIONES COMPLEMENTARIAS/ ISTRUZIONI SUPPLEMENTARI/  
INSTRUÇÕES ADICIONAIS/ TAMAMLAYICI TALIMATLAR/ AANVULLENDE INSTRUCTIES/ INSTRUKCJE DODATKOWE)

**DISASSEMBLE:**

(DEMONTAGE/ DÉMONTAGE/ ΑΠΟΣΥΝΑΡΜΟΛΟΓΗΣΗ/ DESARMADO/ SMONTAGGIO/ DESMONTAGEM/ SÖKME/ DEMONTEREN/DEMONTAZ)



Release

162  
11/03/2019

9444 Rev B

**ASSEMBLE/REASSEMBLE:**

(ZUSAMMENBAU/ERNEUTER ZUSAMMENBAU, MONTAGE/REMONTAGE, ΣΥΝΑΡΜΟΛΟΓΗΗ/ΕΠΙΑΝΑΣΥΝΑΡΜΟΛΟΓΗΗ, ARMADO/REARMADO, MONTAGGIO/RIMONTAGGIO, MONTAGEM/NOVA MONTAGEM, BIRLEŞTİRME/YENİDEN BIRLEŞTİRME, MONTEREN/HERMONTEREN, MONTAŻ/PONOWNY MONTAŻ)

