



USA:
 NuVASIVE, INC.
 7475 LUSK BOULEVARD
 SAN DIEGO, CA 92121, USA
 PHONE: +1-800-475-9131



EC REP

EUROPE:
 NuVASIVE NETHERLANDS B.V.
 JACHTHAVENWEG 109A
 1081 KM AMSTERDAM
 THE NETHERLANDS
 PHONE: +31 20 72 33 000

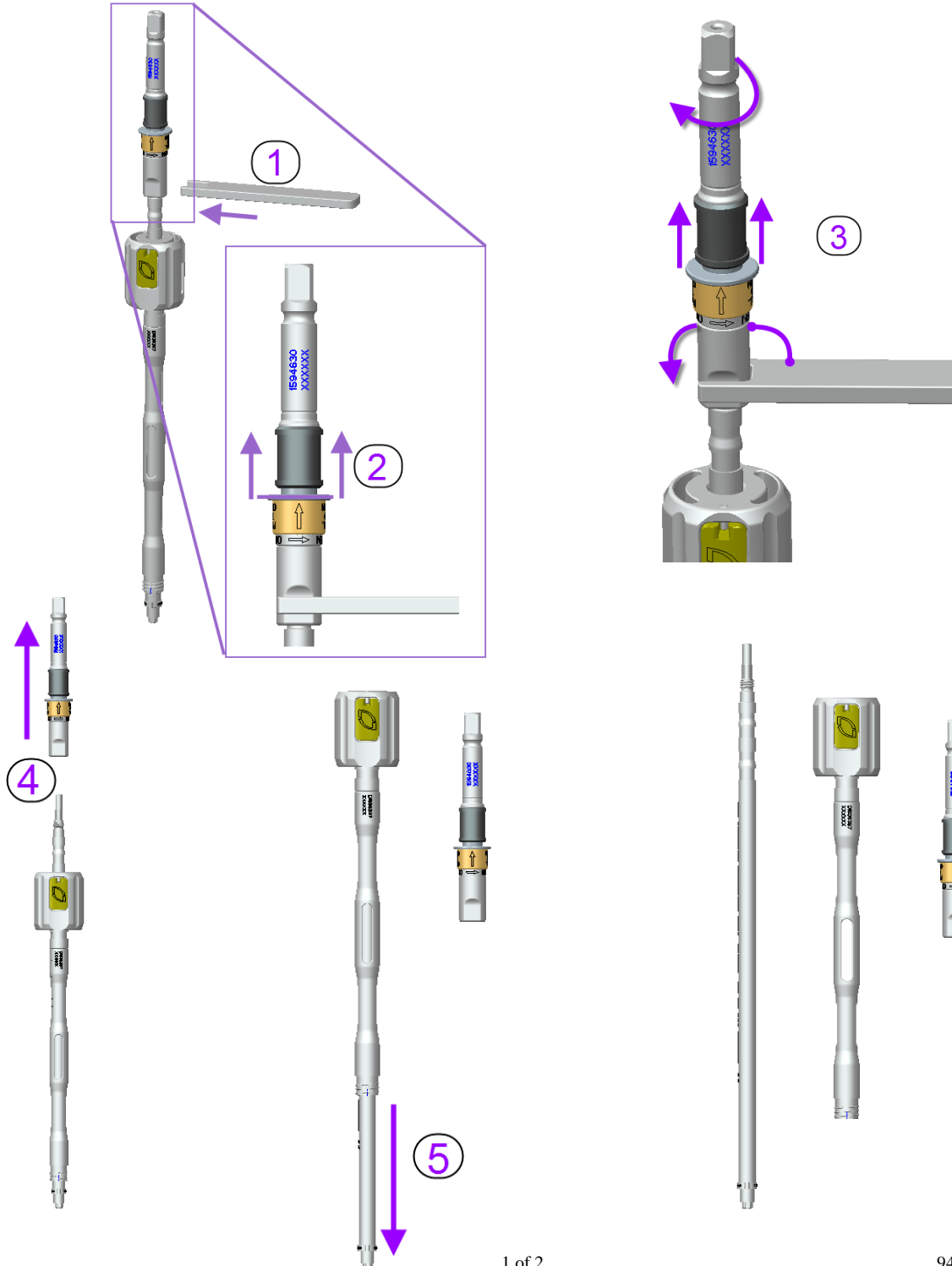


RELINER SCREWDRIVER, CANNULATED - Dismantlable
SUPPLEMENTAL INSTRUCTIONS

(ZUSATZANWEISUNGEN/ INSTRUCTIONS COMPLÉMENTAIRES/ ΣΥΜΠΛΗΡΩΜΑΤΙΚΕΣ ΟΔΗΓΙΕΣ/ INSTRUCCIONES COMPLEMENTARIAS/ ISTRUZIONI SUPPLEMENTARI/
 INSTRUÇÕES ADICIONAIS/ TAMAMLAYICI TALIMATLAR/ AANVULLENDE INSTRUCTIES/ INSTRUKCJE DODATKOWE)

DISASSEMBLE:

(DEMONTAGE/ DÉMONTAGE/ ΑΠΟΣΥΝΑΡΜΟΛΟΓΗΣΗ/ DESARMADO/ SMONTAGGIO/ DESMONTAGEM/ SÖKME/ DEMONTEREN/DEMONTAZ)



ASSEMBLE/REASSEMBLE:

(ZUSAMMENBAU/ERNEUTER ZUSAMMENBAU, MONTAGE/REMONTAGE, ΣΥΝΑΡΜΟΛΟΓΗΣΗ/ΕΠΑΝΑΣΥΝΑΡΜΟΛΟΓΗΣΗ, ARMADO/REARMADO, MONTAGGIO/RIMONTAGGIO, MONTAGEM/NOVA MONTAGEM, BIRLEŞTİRME/YENİDEN BIRLEŞTİRME, MONTEREN/HERMONTEREN, MONTAŻ/PONOWNY MONTAŻ)

