



USA:  
 NuVASIVE, INC.  
 7475 LUSK BOULEVARD  
 SAN DIEGO, CA 92121, USA  
 PHONE: +1-800-475-9131



EUROPE:  
 NuVASIVE NETHERLANDS B.V.  
 JACHTHAVENWEG 109A  
 1081 KM AMSTERDAM  
 THE NETHERLANDS  
 PHONE: +31 20 72 33 000

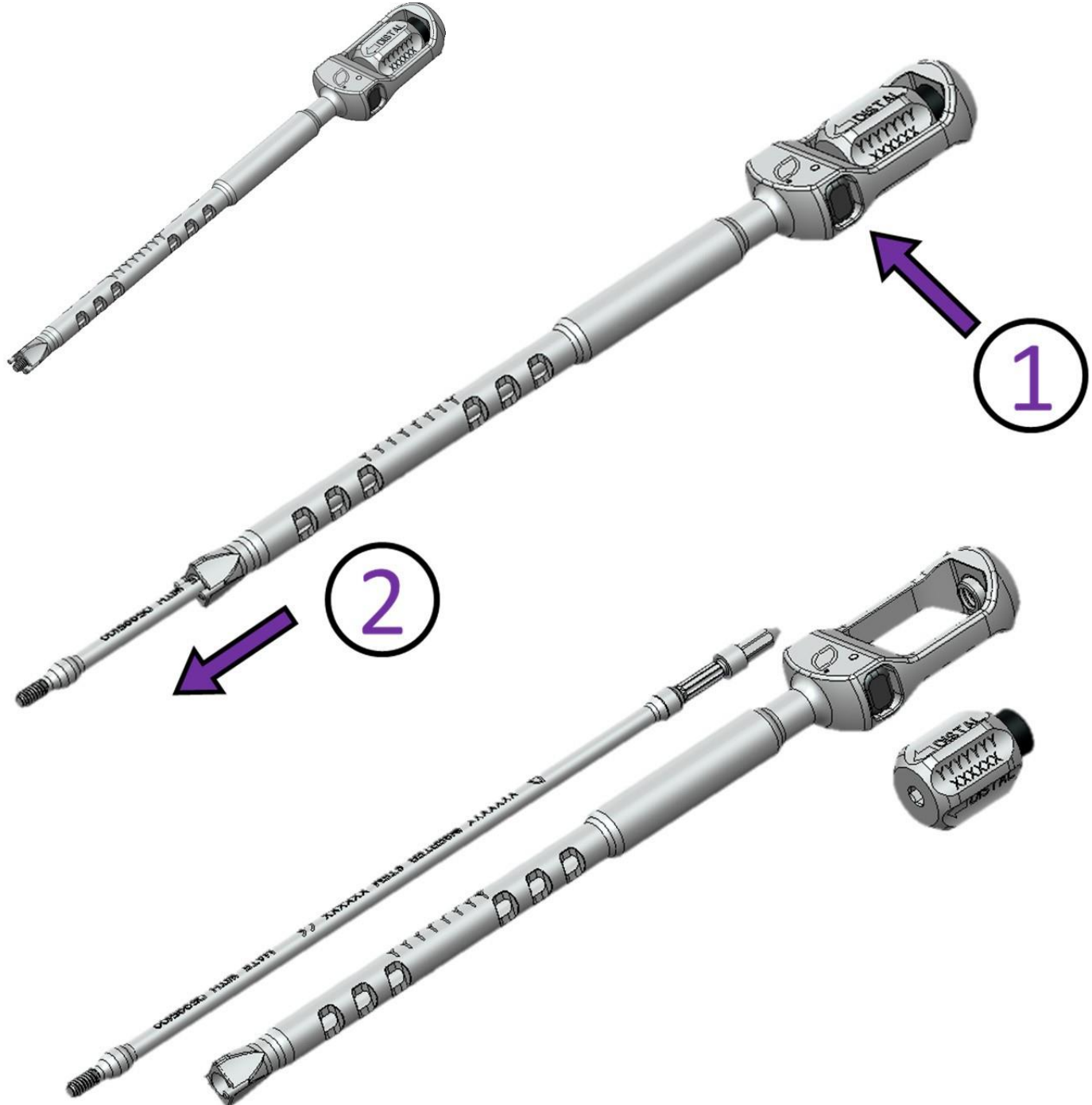


**MONOLITH CORPECTOMY INSERTER - Dismantlable**  
**SUPPLEMENTAL INSTRUCTIONS**

(ZUSATZANWEISUNGEN/ INSTRUCTIONS COMPLÉMENTAIRES/ ΣΥΜΠΛΗΡΩΜΑΤΙΚΕΣ ΟΔΗΓΙΕΣ/ INSTRUCCIONES COMPLEMENTARIAS/ ISTRUZIONI SUPPLEMENTARI/  
 INSTRUÇÕES ADICIONAIS/ TAMAMLAYICI TALIMATLAR/ AANVULLENDE INSTRUCTIES/ INSTRUKCJE DODATKOWE)

**DISASSEMBLE:**

(DEMONTAGE/ DÉMONTAGE/ ΑΠΟΣΥΝΑΡΜΟΛΟΓΗΣΗ/ DESARMADO/ SMONTAGGIO/ DESMONTAGEM/ SÖKME/ DEMONTEREN/DEMONTAZ)



**ASSEMBLE/REASSEMBLE:**

(ZUSAMMENBAU/ERNEUTER ZUSAMMENBAU, MONTAGE/REMONTAGE, ΣΥΝΑΡΜΟΛΟΓΗΣΗ/ΕΠΙΑΝΑΣΥΝΑΡΜΟΛΟΓΗΣΗ, ARMADO/REARMADO, MONTAGGIO/RIMONTAGGIO, MONTAGEM/NOVA MONTAGEM, BIRLEŞTİRME/YENİDEN BIRLEŞTİRME, MONTEREN/HERMONTEREN, MONTAŻ/PONOWNY MONTAŻ)

