



USA:
 NuVASIVE, INC.
 7475 LUSK BOULEVARD
 SAN DIEGO, CA 92121
 PHONE: 1 800 475-9131



EC REP

EUROPE:
 NuVASIVE NETHERLANDS B.V.
 JACHTHAVENWEG 109A
 1081 KM AMSTERDAM
 THE NETHERLANDS
 PHONE: +31 20 72 33 000

BASE TRIAL INSERTER – Dismantlable (D6950002)

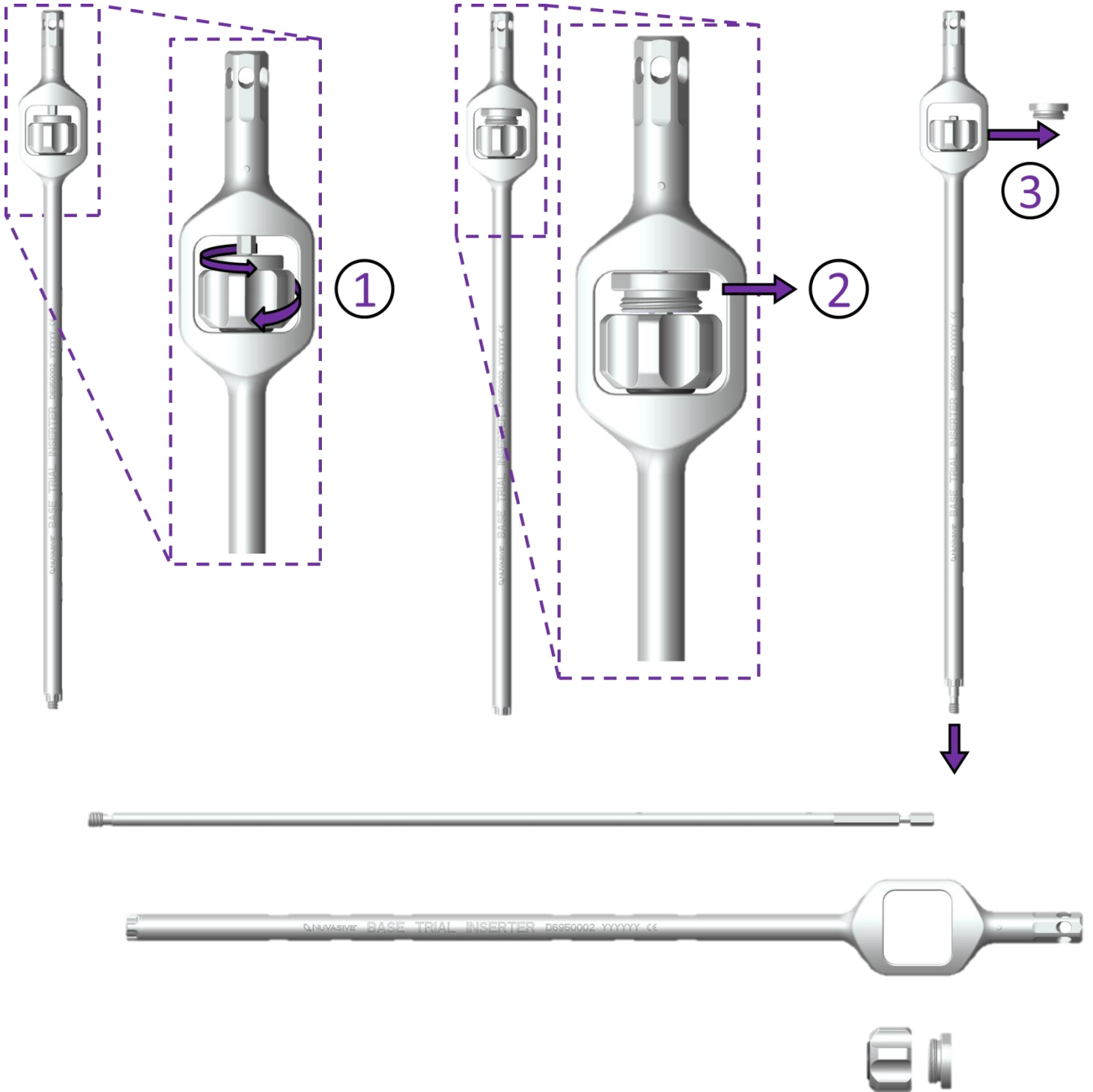
SUPPLEMENTAL INSTRUCTIONS

(ZUSATZANWEISUNGEN / INSTRUCTIONS COMPLÉMENTAIRES / ΣΥΜΠΛΗΡΩΜΑΤΙΚΕΣ ΟΔΗΓΙΕΣ / INSTRUCCIONES COMPLEMENTARIAS /
 ISTRUZIONI SUPPLEMENTARI / INSTRUÇÕES ADICIONAIS / TAMAMLAYICI TALIMATLAR / AANVULLENDE INSTRUCTIES)



DISASSEMBLE:

(DEMONTAGE / DÉMONTAGE / ΑΠΟΣΥΝΑΡΜΟΛΟΓΗΣΗ / DESARMADO / SMONTAGGIO / DESMONTAGEM / SÖKME / DEMONTEREN)



ASSEMBLE/REASSEMBLE:

(ZUSAMMENBAU/ERNEUTER ZUSAMMENBAU, MONTAGE/REMONTAGE, ΣΥΝΑΡΜΟΛΟΓΗΣΗ/ΕΠΙΔΕΙΝΑΣΥΝΑΡΜΟΛΟΓΗΣΗ, ARMADO/REARMADO, MONTAGGIO/RIMONTAGGIO, MONTAGEM/ NOVA MONTAGEM, BIRLEŞTİRME/YENİDEN BİRLEŞTİRME, MONTEREN/HERMONTEREN)

