



USA:
 NUVASIVE, INC.
 7475 LUSK BOULEVARD
 SAN DIEGO, CA 92121
 PHONE: (800) 475-9131



EC REP

EUROPE:
 NUVASIVE NETHERLANDS B.V.
 JACHTHAVENWEG 109A
 1081 KM AMSTERDAM
 THE NETHERLANDS
 PHONE: +31 20 72 33 000

ALIF Interfixated Interbody Inserter – Dismantlable (D1725309)

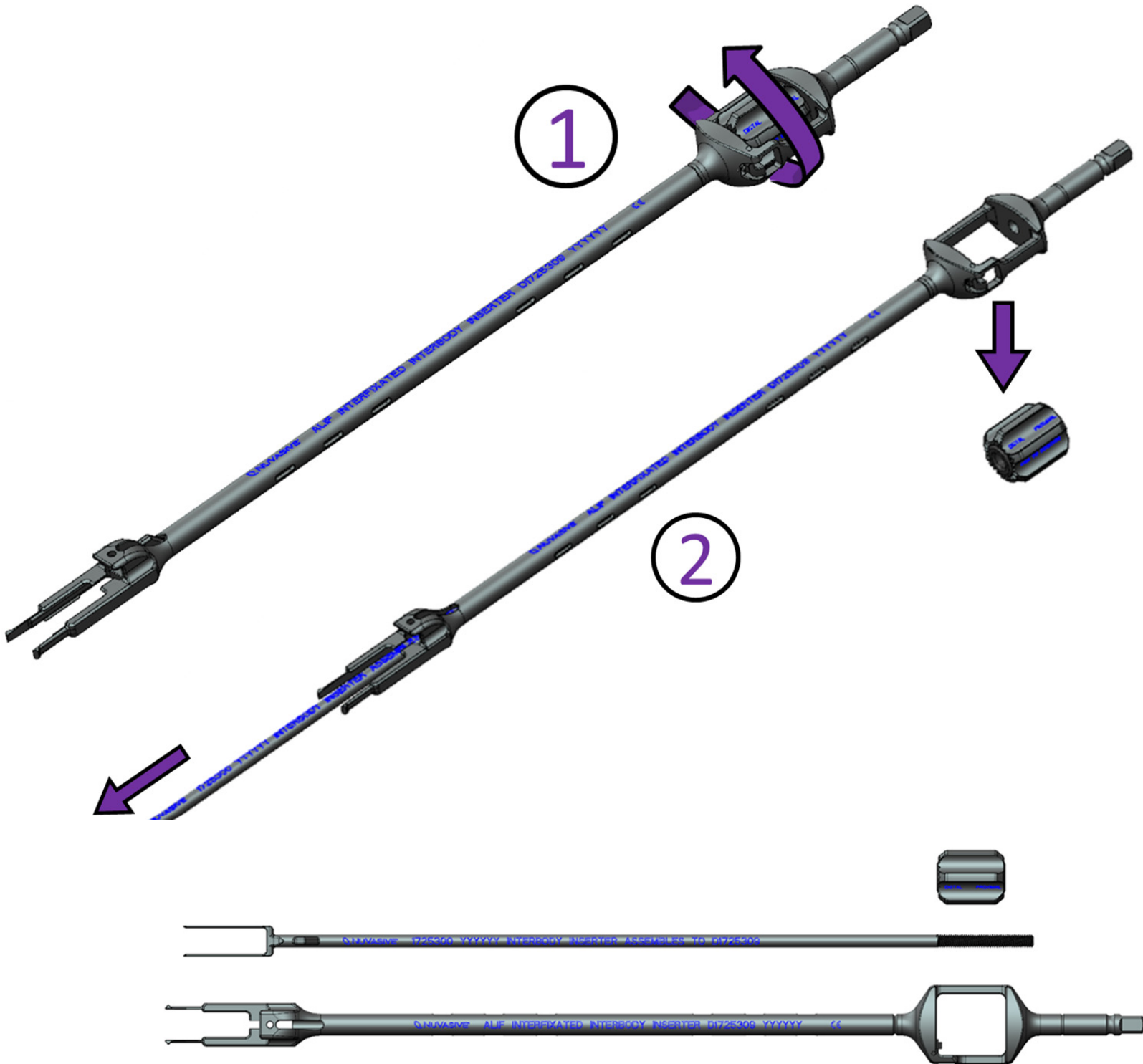
SUPPLEMENTAL INSTRUCTIONS

(ZUSATZANWEISUNGEN / INSTRUCTIONS COMPLÉMENTAIRES / ΣΥΜΠΛΗΡΩΜΑΤΙΚΕΣ ΟΔΗΓΙΕΣ / INSTRUCCIONES COMPLEMENTARIAS /
 ISTRUZIONI SUPPLEMENTARI / INSTRUÇÕES ADICIONAIS / TAMAMLAYICI TALIMATLAR / AANVULLENDE INSTRUCTIES)



DISASSEMBLE:

(DEMONTAGE / DÉMONTAGE / ΑΠΟΣΥΝΑΡΜΟΛΟΓΗΣΗ / DESARMADO / SMONTAGGIO / DESMONTAGEM / SÖKME / DEMONTEREN)



ASSEMBLE/REASSEMBLE:

(ZUSAMMENBAU/ERNEUTER ZUSAMMENBAU, MONTAGE/REMONTAGE, ΣΥΝΑΡΜΟΛΟΓΗΣΗ/ΕΠΑΝΑΣΥΝΑΡΜΟΛΟΓΗΣΗ, ARMADO/REARMADO, MONTAGGIO/RIMONTAGGIO, MONTAGEM/NOVA MONTAGEM, BIRLEŞTİRME/YENİDEN BİRLEŞTİRME, MONTEREN/HERMONTEREN)

