



USA:  
 NUVASIVE, INC.  
 7475 LUSK BOULEVARD  
 SAN DIEGO, CA 92121  
 PHONE: (800) 475-9131



EUROPE:  
 NUVASIVE UK LTD.  
 SUITE B, GROUND FLOOR,  
 CASPIAN HOUSE, THE WATERFRONT,  
 ELSTREE, HERTS, WD6 3BS  
 PHONE: +44 (0) 20 8238 7850

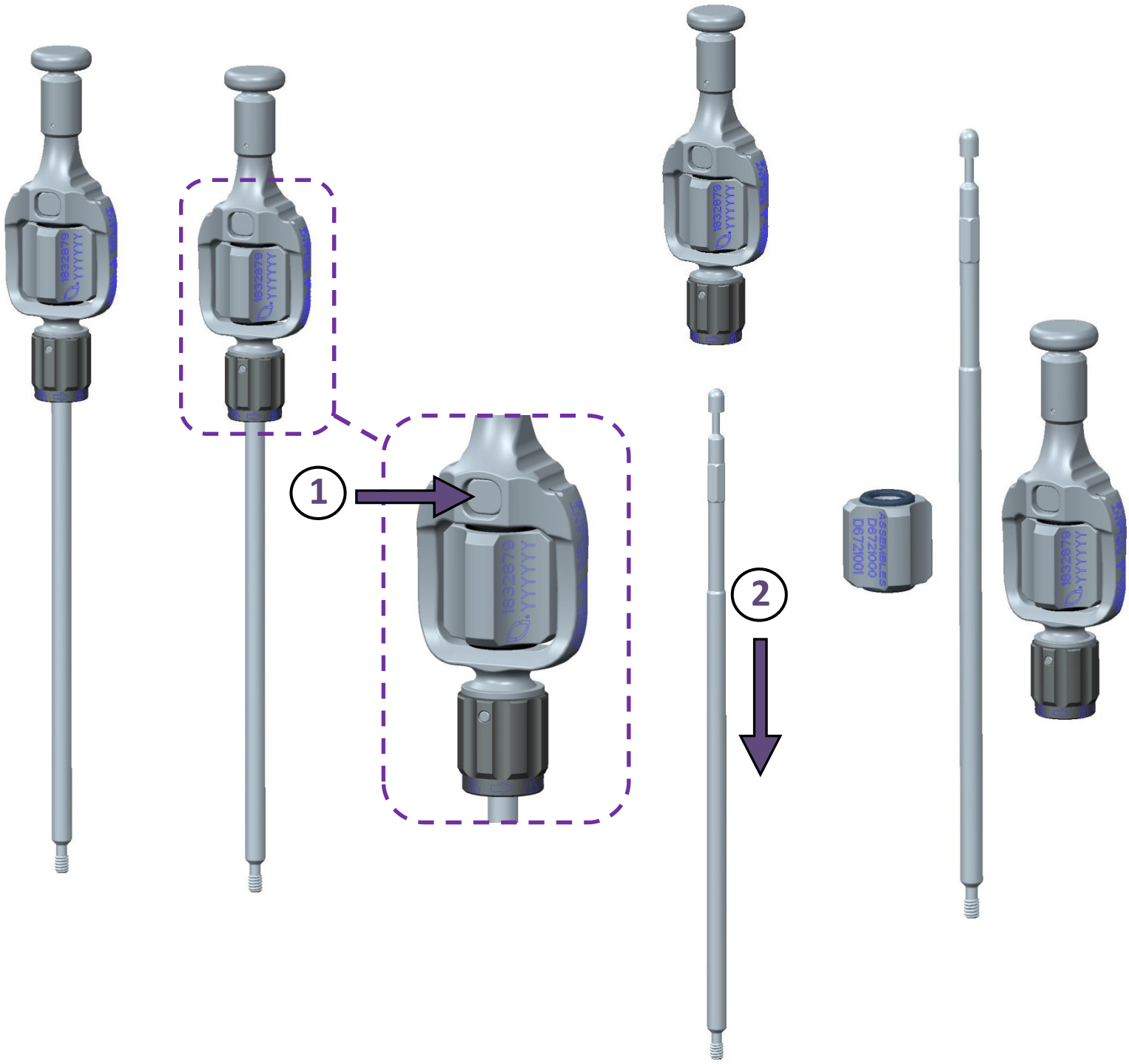
**CoRoent<sup>®</sup> Small ACR<sup>®</sup> Inserter Handle - Dismantlable**  
**SUPPLEMENTAL INSTRUCTIONS**

(ERGÄNZUNGSANLEITUNG / INSTRUCTIONS SUPPLÉMENTAIRES / ΣΥΜΠΛΗΡΩΜΑΤΙΚΕΣ ΟΔΗΓΙΕΣ /  
 INSTRUCCIONES COMPLEMENTARIAS / ISTRUZIONI SUPPLEMENTARY / INSTRUÇÕES ADICIONAIS / EK TALIMATLAR)



**DISASSEMBLE:**

(AUSEINANDERBAUEN / DÉMONTER / ΑΠΟΣΥΝΑΡΜΟΛΟΓΗΣΗ / DESARMAR / SMONTAGGIO / DESMONTAGEM / SÖKME)



**ASSEMBLE/REASSEMBLE:**

(ZUSAMMENSETZEN/WIEDER ZUSAMMENSETZEN, MONTER/REMONTER, ΣΥΝΑΡΜΟΛΟΓΗΣΗ/ΕΠΑΝΑΣΥΝΑΡΜΟΛΟΓΗΣΗ, ARMAR/REARMAR, ASSEMBLAGGIO/RIASSEMBLAGGIO, MONTAGEM/DESMONTAGEM, TAKMA /TEKRAR TAKMA)

